

SPARE PARTS EXPLODED VIEW GAS WALL BOILERS

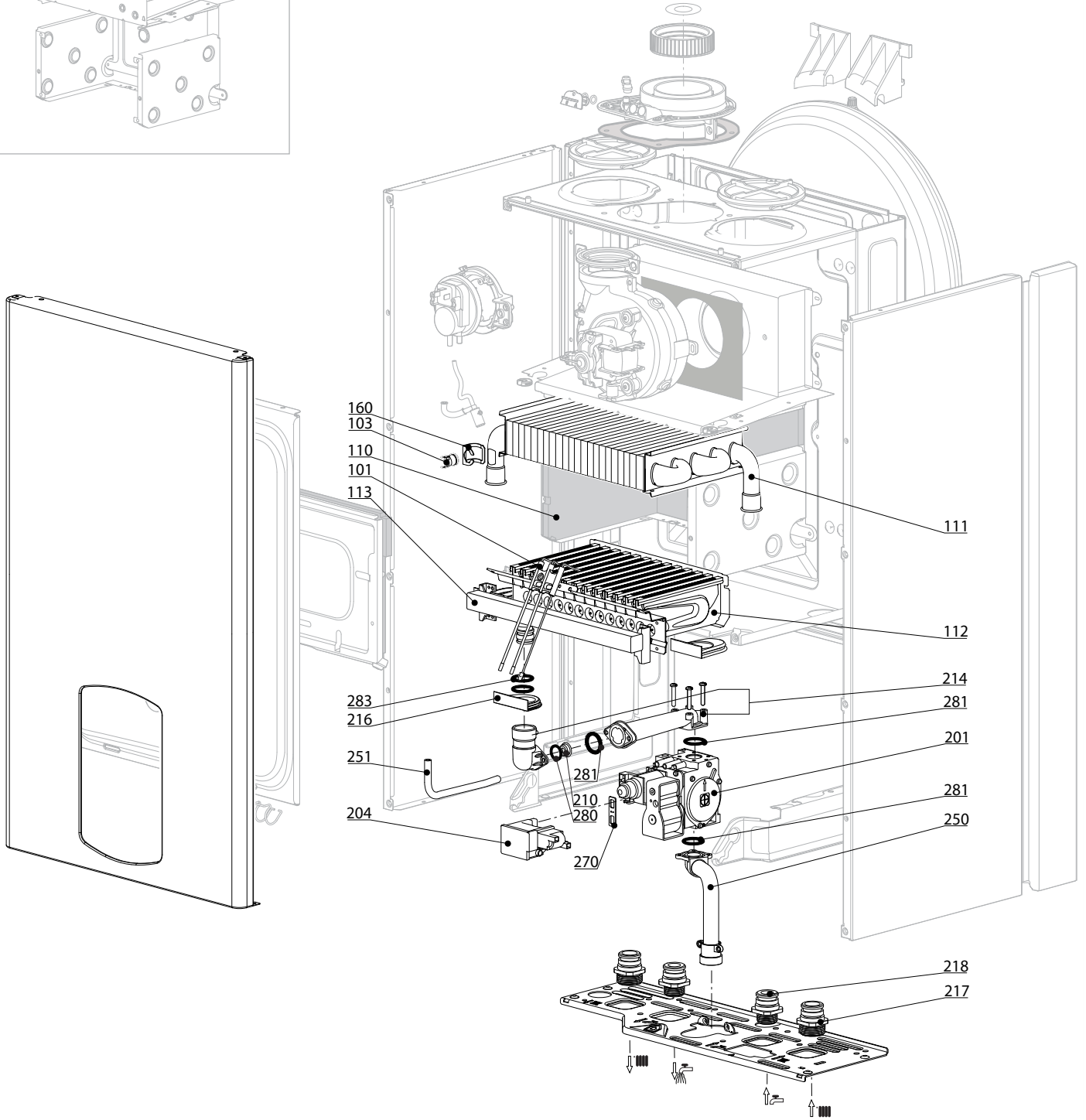
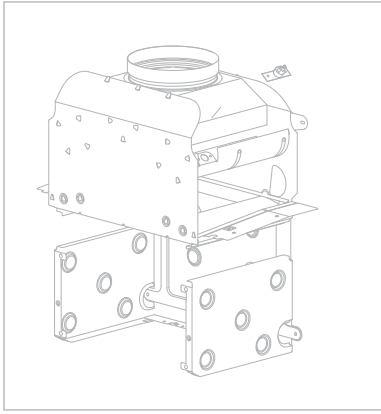
Model

PIGMA

R8203109-05 - 23/03/2012

EN	FR	IT	ES	DE
-----------	-----------	-----------	-----------	-----------

1	3650212	PIGMA 25 CF N FR
1	3650213	PIGMA 25 CF B/P FR
2	3650214	PIGMA 25 VMC FR
3	3650215	PIGMA 25 FF N FR	01/08	...
3	3650216	PIGMA 25 FF B/P FR
4	3650217	PIGMA 30 FF N FR
Col	Reference	Model type	Begin	End

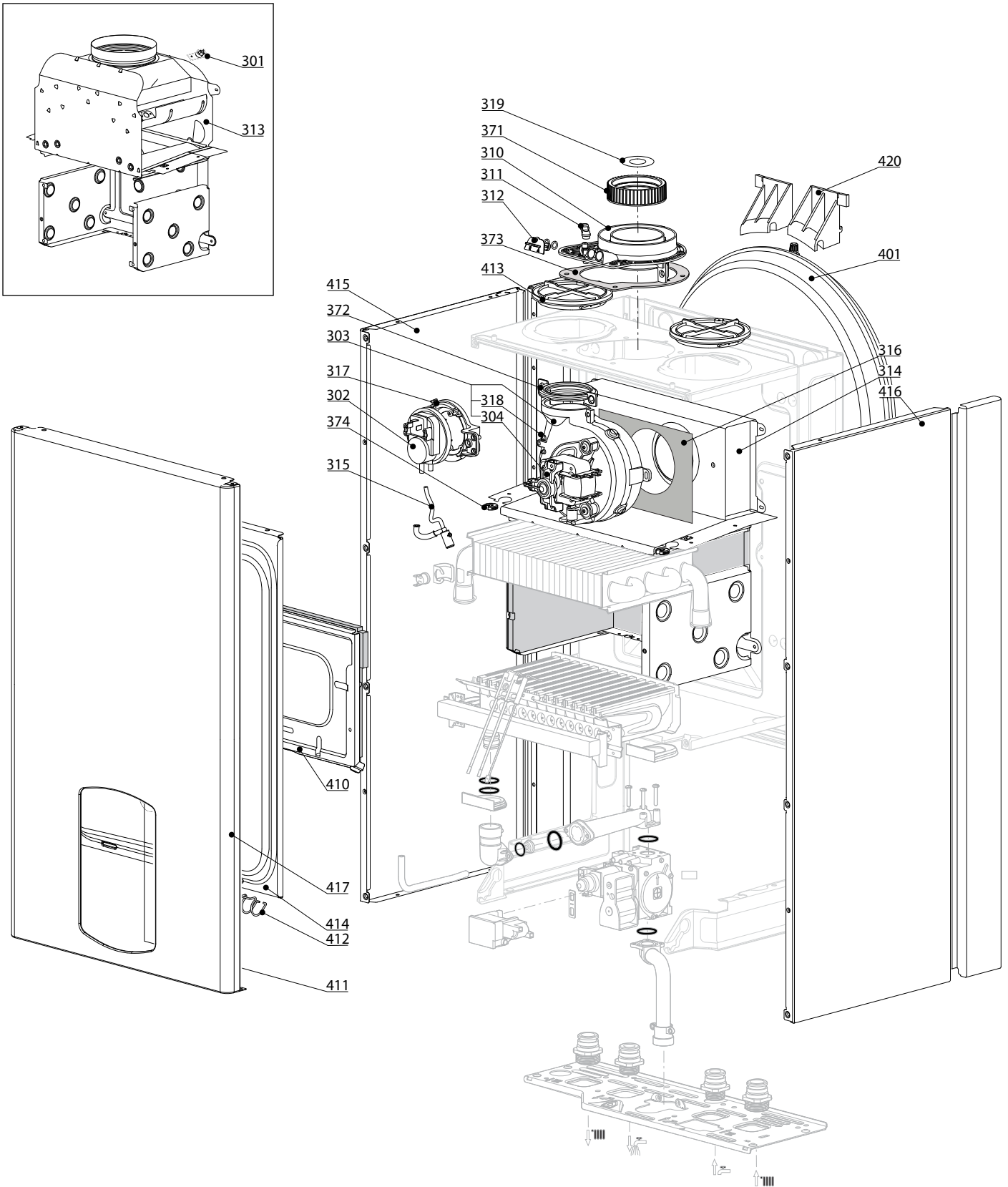


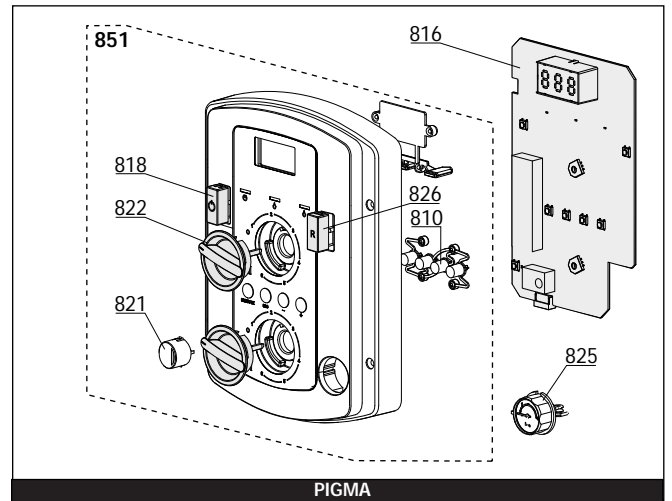
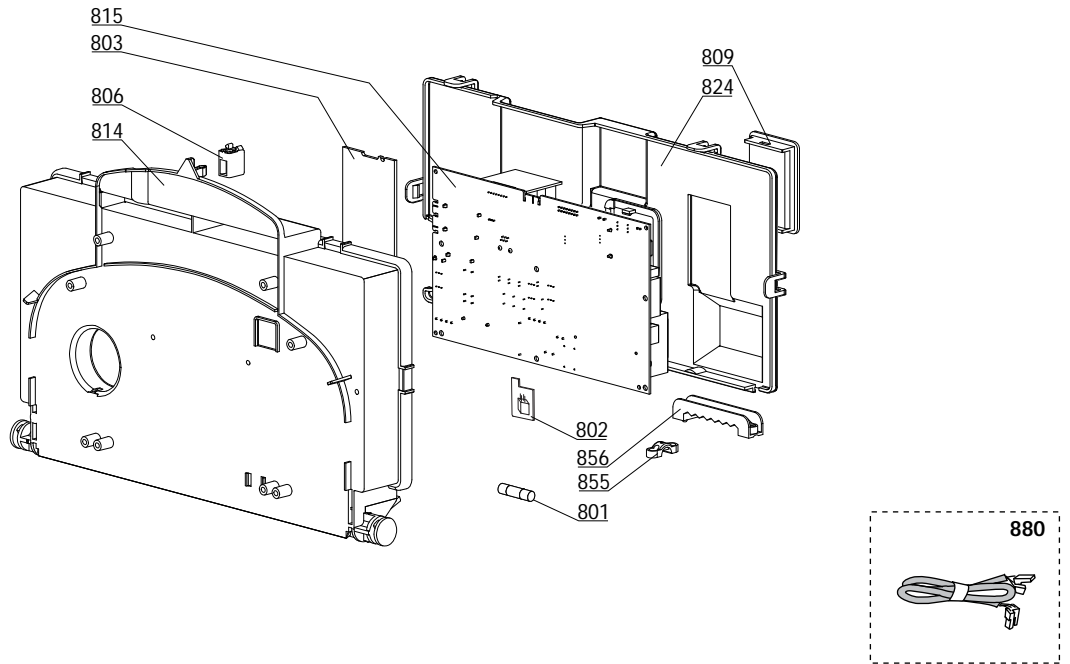
Description	Manf. Pt. N	Type																		
			1	2	3	4	5	6	7	8	9	10	11	12	13	14	15	16	17	18
0100 BURNER ASSEMBLY																				
0101 ELECTRODE (IGNITION/DETECTION)	65104549		•	•	•	•														
0103 THERMOSTAT 102°	65104500		•	•	•	•														
0110 PANELS (KIT)	65104695				•														02/08	
PANELS (KIT)	65104695		•	•		•														
PANELS (KIT)	65106298				•														03/08	
0111 MAIN EXCHANGER	65104246				•														02/08	
MAIN EXCHANGER	65104246					•														
MAIN EXCHANGER	65104247		•	•																
MAIN EXCHANGER	65106297				•														03/08	
0112 BURNER 13NP	65104220				•														02/08	
BURNER 13NP	65104220		•	•		•														
BURNER 11NP	65106294				•														03/08	
0113 GAS MANIFOLD 13 INJ. D:0.76	65104223	B/P			•														02/08	
GAS MANIFOLD 13 INJ. D:0.76	65104223	B/P	•																	
GAS MANIFOLD 11 INJ. D:0.80	65106605	B/P			•														03/08	
GAS MANIFOLD 13 INJ. D:1.32	65104226	NAT				•														
GAS MANIFOLD 13 INJ. D:1.25	65104302	NAT			•														02/08	
GAS MANIFOLD 13 INJ. D:1.25	65104302	NAT	•	•																
GAS MANIFOLD 11 INJ. D:1.32	65106302	NAT			•														03/08	
0160 CLIP	61010050		•	•	•	•														
0200 GAS SECTION																				
0201 GAS VALVE	65104254		•	•	•	•														
0204 SPARK GENERATOR	65104653		•	•	•	•														
0210 RESTRICTOR D: 6.3	60000018	NAT			•														02/08	
RESTRICTOR D: 6.3	60000018	NAT	•	•																
RESTRICTOR D: 5.7	60000498	NAT			•														03/08	
RESTRICTOR D: 7	65105152	NAT				•														
0214 PIPE (GAS VALVE/BURNER)	65104230		•	•	•	•														
0216 GROMMET	60000624		•	•	•	•														
0217 UNION (3/4)	65104326		•	•	•	•														
0218 UNION (1/2)	65104327		•	•	•	•														
0250 GAS TUBE	60000720		•	•	•	•														
0251 EPDM PIPE	65104296				•	•														
0270 GASKET (SPARK GENERATOR)	574279		•	•	•	•														
0280 O-RING D: 14-2.00	60000903	NAT	•	•	•	•														
0281 O-RING 22,22X2,62	65104304		•	•	•	•														
0283 O-RING 17,17X1,78	65104303		•	•	•	•														

300
400

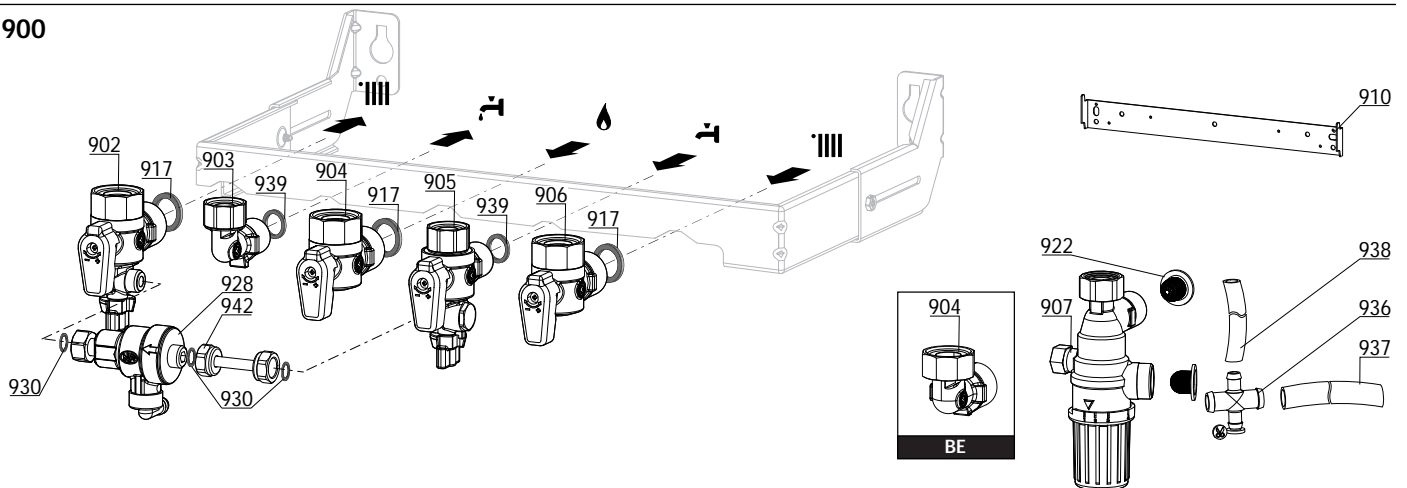
PIGMA

Domestic Gas Boilers





900



5000

<p>5001 Transf. gaz > B/P Conv. gas > LPG Trasn. gas > GPL Transf. gas > B/P Umrustsatz > B/P</p>	<p>5002 Transf. gaz > Nat Conv. gas > Nat Trasn. gas > Met Transf. gas > Met Umrustsatz > Nat</p>	<p>5020 Options Accessories Opzioni Accessorio Option</p>
--	--	---

Description	Manf. Pt. N	Type																		
			1	2	3	4	5	6	7	8	9	10	11	12	13	14	15	16	17	18
0800 ELECTRICAL BOX																				
0801 FUSE 250V 2A - TEMPORIZED	61003456		•	•	•	•														
0802 MODULE KIT (EEPROM)	65105148		•	•	•	•														
0803 P.C.B (CLIP-IN) E-BUS	65109108		•	•	•	•														
0806 PUSH	65104228		•	•	•	•														
0809 INSPECTION COVER	65104294		•	•	•	•														
0810 PUSH BUTTON	60000978		•	•	•	•														
0814 CONTROL PANEL	65104300		•	•	•	•														
0815 P.C.B. (MAIN)	65109313-02		•	•	•	•														
0816 PRINTED CIRCUIT BOARD (DISPLAY)	60000817-01		•	•	•	•														
0818 PUSH BUTTON ON/OFF	60000836		•	•	•	•														
0821 PUSH BUTTON	60000835		•	•	•	•														
0822 KNOB	60001003		•	•	•	•														
0824 CONTROL PANEL COVER (REAR)	65104293		•	•	•	•														
0825 PRESSURE GAUGE	60000725		•	•	•	•														
0826 BUTTON (RESET)	60000806		•	•	•	•														
0851 FRONT CONTROL PANEL COMPLETE	60000833		•	•	•	•														
0855 CABLE CLAMP	571562		•	•	•	•														
0856 CABLE CLAMP	65103377		•	•	•	•														
0880 EARTH WIRE	65104286		•	•	•	•														
DISPLAY WIRING	60000746	/ CN02	•	•	•	•														
NTC - PRES. SENSOR - GAS VALVE CABLE	60000840	/ CN04	•	•	•	•														
IONIZATION ELECTRODE CABLE	65104518	/ CN05	•	•	•	•														
SHUNT CABLE	60000839	/ CN07	•																	
THREE WAY VALVE CABLE	65104523	/ CN09	•	•	•	•														
PUMP 1V CABLE	65105081	/ CN10	•	•	•	•														
FAN CABLE	65107270	/ CN10				•	•													
CLIP-IN E-BUS WIRING	65105169	/ CN11	•	•	•	•														
FLOW METER CABLE	60000813	/ CN14	•	•	•	•														
FEEDER 240V	60000993	/ CN20	•	•	•	•														
NTC - OVERHEAT THER. - PRES SWITCH CABLE	60000814	/ CN22				•	•													
NTC PROBE - OVERHEAT THERMOSTAT CABLE	60000838	/ CN22				•														
ROOM THERMOSTAT CABLE	60000988	/ CN25	•	•	•	•														
NTC PROBE - OVERHEAT THERMOSTAT CABLE	65104708	/ CN22	•																	
0900 JIG PLATE & PIPE FITTING																				
0902 WATER FLOW SERVICE TAP	60000886		•	•	•	•														
0903 HOT WATER CONNECTION	60000891		•	•	•	•														
0904 GAS SERVICE TAP	60000898		•	•	•	•														
UNION	65105631		•	•	•	•														
0905 COLD WATER TAP	60000894		•	•	•	•														
0906 WATER FLOW & RETURN SERVI. TAP	60000885		•	•	•	•														
0907 THERMOSTATIC MIXING VALVE	60001081		•	•	•	•														
0910 WALL HOOK	60000625		•	•	•	•														
0917 SHEET GASKET D: 24-17-1.5	60061855-19		•	•	•	•														
0922 FILTER	60001087		•	•	•	•														
DISCONNECTOR	60000881		•	•	•	•														
0930 SHEET GASKET D: 11-5-1.5	60061853-07		•	•	•	•														
0936 UNION	60000879		•	•	•	•														
0937 TUBE PVC D: 13x17 L: 1M	60081266-02		•	•	•	•														
0938 TUBE PVC D: 9x12 L: 1M	60081266		•	•	•	•														
0939 SHEET GASKET D: 16.5-11-1.5	60061854-14		•	•	•	•														
0942 FILLER NECK	60001078		•	•	•	•														
5000 ACCESSORIES																				
5001 BURNER JET FULL KIT (LPG)	65104582						•													
BURNER JET FULL KIT (LPG)	65106690		•				•													
5002 BURNER JET FULL KIT (NG) FR	65104585							•												
BURNER JET FULL KIT (NG) FR	65106692		•				•													
5020 ROD PLATE	60000999		•	•	•	•														

LIST OF THE ABBREVIATIONS

HW	: Hot water.
CW	: Cold water.
C	: Ceramic resistance (normal heating).
Ca	: Ceramic resistance (accelerated heating)
TP	: Immersion heater.
1F	: With fittings.
2F	: Without fittings.
3F	: With fittings and another outlet connection.
AMI	: With mixing valve.
SMI	: Without mixing valve.
PUISS	: Power of th appliance.
PN	: Appliance with normal pression.
LP	: Appliance with low pression.
PV	: Appliance with variable power.
PF	: Appliance with fixed power.

IDENTIFICATION PLATE

SERIAL NUMBER

10 Characters :	04 05 125 011	
	_____	Sequential number
	_____	Manufacturing day
	_____	Year of manufacture
11 Characters :	1 95 065004 - 31	
Month of manufacture :	_____	Technical number of the appliance
from 1 to 9 → Jan. to Sep.,	_____	Sequential number
O → Oct., N → Nov.,	_____	Year of manufacture
D → Dec.	_____	
19 Characters :	08 05 0013199 900640031	
Year of manufacture	_____	Product reference
Month of manufacture	_____	Sequential number
20 Characters :	3675007 XX 2 07 070 00315	
Product reference	_____	Sequential number
Millenium of manufacture	_____	Manufacturing day
	_____	Year of manufacture
21 Characters :	3675007 XX 07 070 0000315	
Product reference	_____	Sequential number
Year of manufacture	_____	Manufacturing day

The indications mentioned on the prices, commercial or technical literature and the scheme are written for your guidance and are available at a given time. The CONSTRUCTOR retains the power to modify the presentation, the form, the size, the conception or the material of the products.